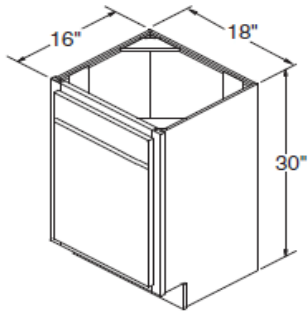


Daytona

Vanity Sink Base 30" High 16" Deep

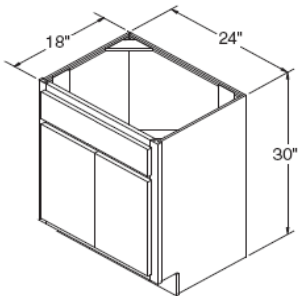


ITEM

VSB1816

N/A

Vanity Sink Base 30" High 18" Deep

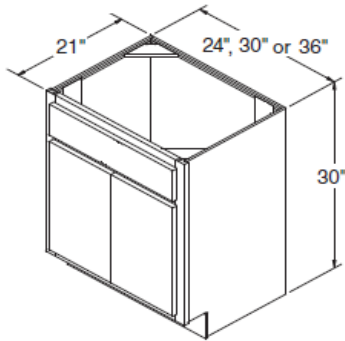


VSB1816

N/A

All Daytona cabinets have butt doors, no center mull

Vanity Sink Bases 30" High 21" Deep



ITEM

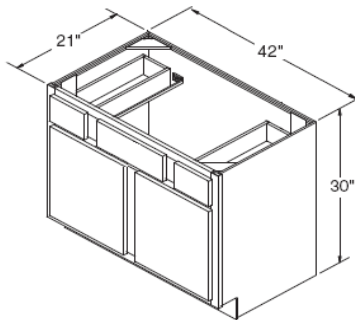
VSB2421

VSB3021

VSB3621

All Daytona cabinets have butt doors, no center mull

Vanity Sink Base 30" High 21" Deep

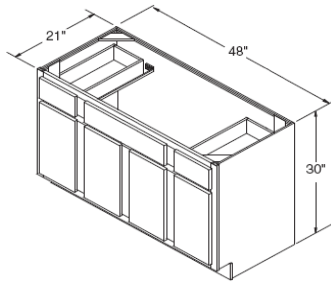


ITEM

VSB4221

Daytona

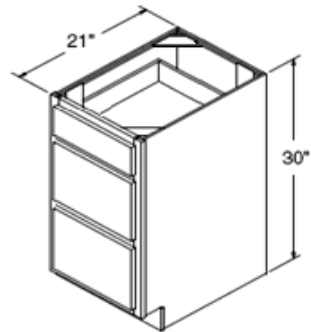
Vanity Sink Base 30" High 21" Deep



ITEM

VSB4821

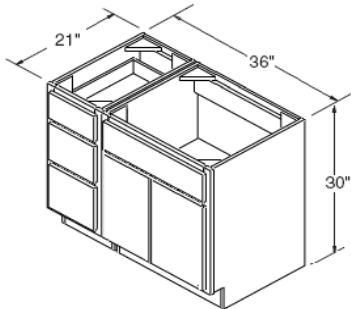
Vanity Drawer Base 30" High 21" Deep



ITEM

VDB1221

Vanity Cabinets Combination



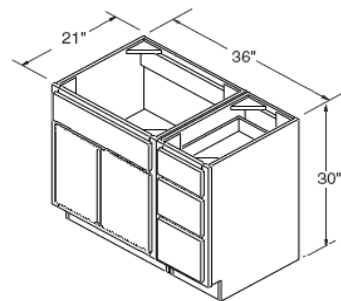
ITEM

Vanity 1

Qty Cabinet list

1 VSB2421

1 VDB1221



ITEM

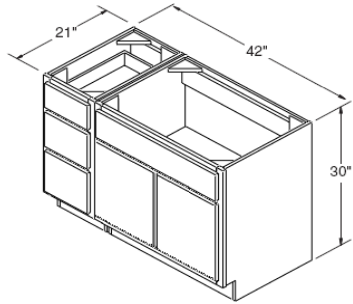
Vanity 2

Qty Cabinet list

1 VSB2421

1 VDB1221

Daytona



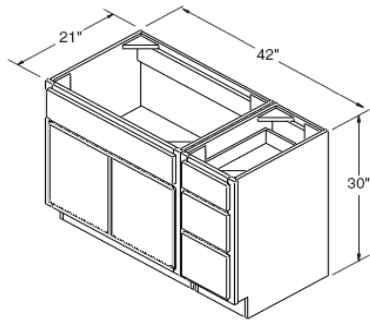
ITEM

Vanity 3

Qty Cabinet list

1 VSB3021

1 VDB1221



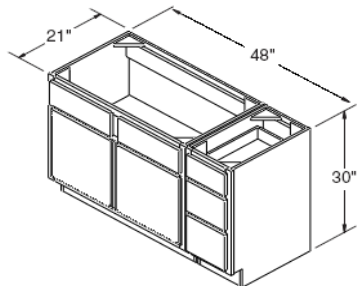
ITEM

Vanity 4

Qty Cabinet list

1 VSB3021

1 VDB1221



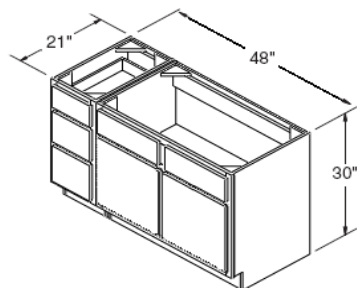
ITEM

Vanity 5

Qty Cabinet list

1 VSB3621

1 VDB1221



ITEM

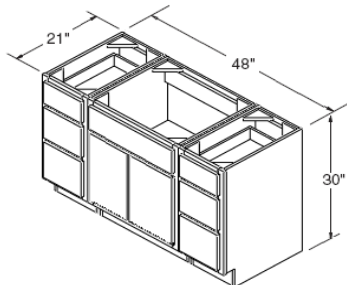
Vanity 6

Qty Cabinet list

1 VSB3621

1 VDB122

Daytona



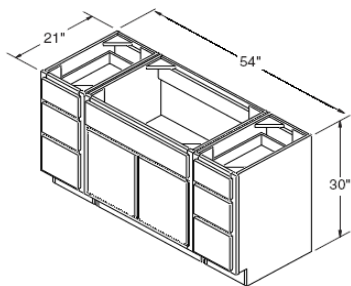
ITEM

Vanity 7

Qty Cabinet list

1 VSB2421

2 VDB1221



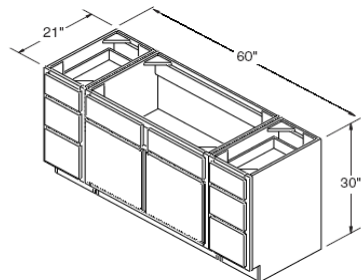
ITEM

Vanity 8

Qty Cabinet list

1 VSB3021

2 VDB1221



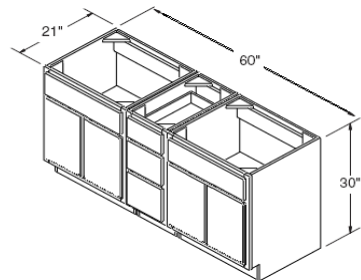
ITEM

Vanity 9

Qty Cabinet list

1 VSB3621

2 VDB1221



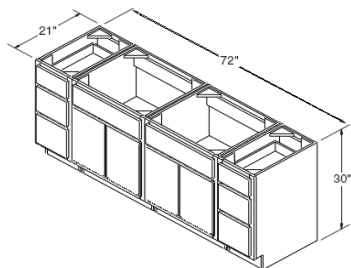
ITEM

Vanity 10

Qty Cabinet list

2 VSB2421

1 VDB1221



ITEM

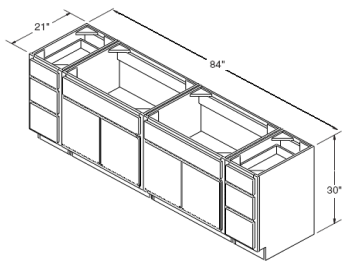
Vanity 11

Qty Cabinet list

2 VSB2421

2 VDB122

Daytona



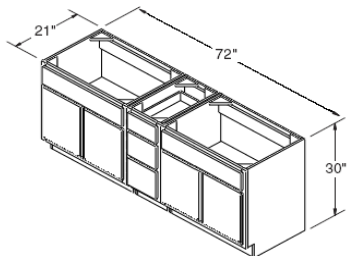
ITEM

Vanity 12

Qty Cabinet list

2 VSB3021

2 VDB1221



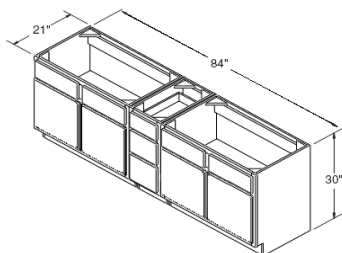
ITEM

Vanity 13

Qty Cabinet list

2 VSB3021

1 VDB1221



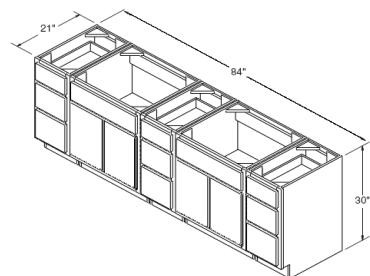
ITEM

Vanity 14

Qty Cabinet list

2 VSB3621

1 VDB1221



ITEM

Vanity 15

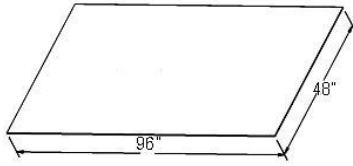
Qty Cabinet list

2 VSB2421

3 VDB1221

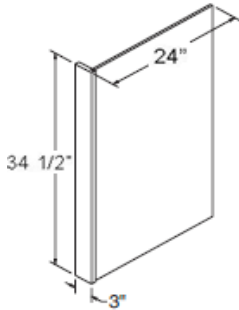
Daytona

Back Panel 4' X 8' 1/8" thick



ITEM
BP4896

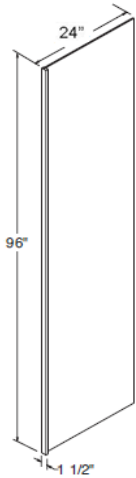
Dishwasher End Panel w/3" stile 34 1/2" High 24" Deep



ITEM
PEPR335

Can be used for Left or Right application

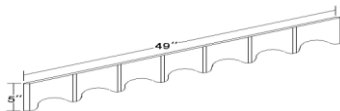
End Panel 96" High 24" Deep with 1 1/2" stile



ITEM
PREPRP1.596

Can be used for Left or Right application

Scalloped and Straight Valance 5" High, 49" Wide



ITEM
V549ST
V549SC

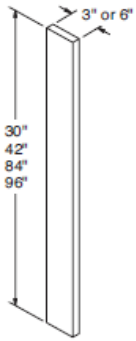
Toe Kick 96" Long, 1/8" thick



ITEM
Toe Kick

Daytona

Fillers 3" & 6" Wide



ITEM

F330

F342

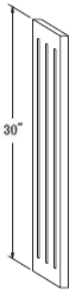
F630

F642

F396

F696

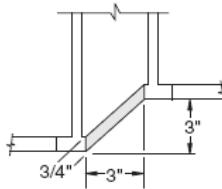
Angle Fluted Filler



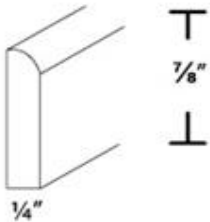
ITEM

F531

Top view :



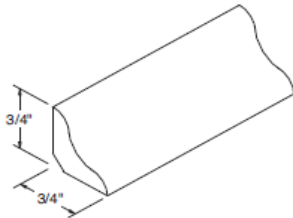
Scribe 1/4" X 3/4" X 96"



ITEM

MSW8

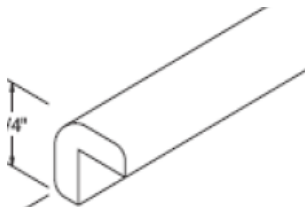
Cove Molding 3/4" X 3/4" X 96"



ITEM

MCV8

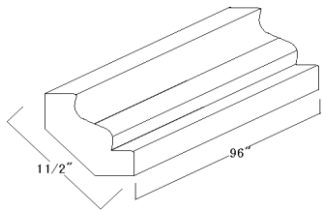
Outside Corner Molding 3/4" X 3/4" X 96"



ITEM

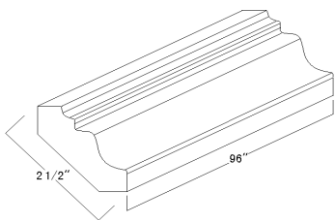
MOC8

Crown Molding 96" Long



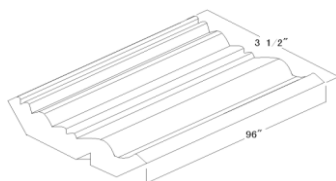
ITEM

MCROWN1 1 1/2



ITEM

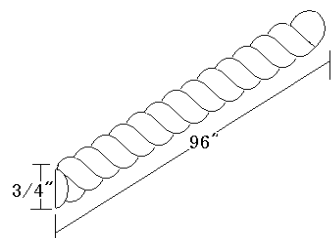
MCROWN2 2 1/2



ITEM

MCROWN3 3 1/2

Rope Molding 96" Long

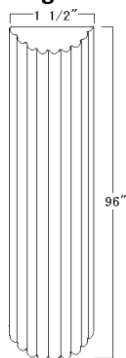


ITEM

Rope

Rope Molding usually use to install in MCROWN3

Split Turning

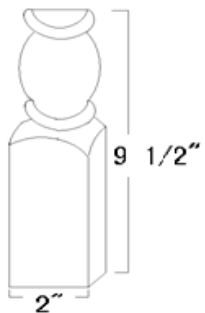


ITEM

REED 96

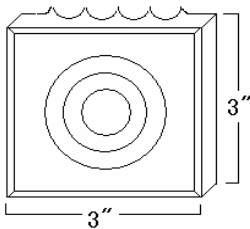
Daytona

Split Turning



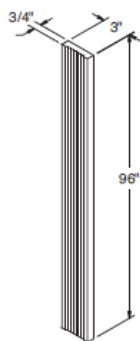
ITEM
RED

Rosette

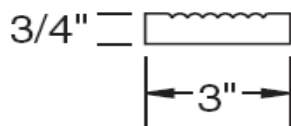


ITEM
ROS3X3

Fluted Filler



ITEM
FF396



TP 3



ITEM
TP3